

Product Specifications

SUMMIT CHARGER



Color : Silver or Black

Basic parameters

Name	Fully enclosed variable frequency charger
Brand	Summit Charger
Model	SMCZIP-1.5KW
Battery parameters	Battery type & Series number ? Nominal voltage ?V Max output voltage ?V; Max ?V/cell Capacity ?Ah
Cooling way	Air Cooling
Size	L 281mm* W 146mm* H 82mm
Net weight	2.7 kg
Efficiency	>93%
IP	66
Certification	CE FCC
Working temperature	- 20 — 85 °C
Protective properties	1. Output over voltage protection; 2. Output over current protection; 3. Output short circuit protection; 4. Output reverse protection; 5. Over temperature protection of charger; 6. Over temperature protection of battery.
Warranty	12 months

Specific parameters

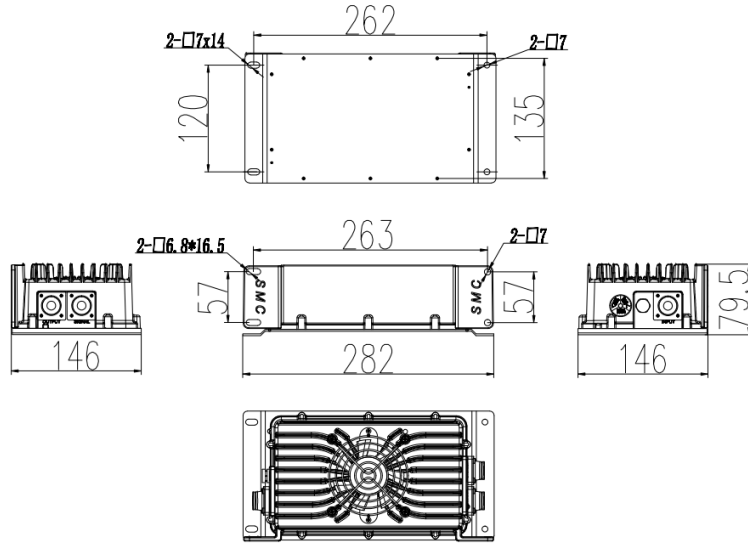
Input	Rated input voltage	AC220V ± 15% Single-phase three-wire system
	Waveform	Sine wave
	Frequency	50-60 Hz

	Input current	≤11A			
	Power factor	0.99@220VAC full load			
	Input connectors	EU Plug 			
	Input cable	1.4m			
	Others	/			
Output	Rated output voltage	48V~60V Max	36V~ 45V Max	24V~30V Max	12V~15V Max
	Max Output current	25A	25A	30A	25A
	Output power limit	1500W			
	Output connectors	DC SC50 			
	Output cable	1.5m			
	Others	/			
Extend Functions	CAN	Optional			
	485	NO			
	12V Auxiliary power	12V/3A Optional			
	CP	NO			
	CC	NO			
	High voltage interlock function	NO			
	Charging lock	Optional			
	Bluetooth	NO			
	External Indicator	Optional			
	Built in Indicator	YES			
	Handle	Optional			



	External program replacement interface	NO
Package & Delivery	Carton size : 36*30*25cm	
	Gross weight : 4.5kg	
	Sample Lead time : 5-8 days	

Installation dimensions



Pictures

SUMMIT CHARGER



- AC Input plug: Optional
- DC Output connector: Optional
- 12V: Optional
- Handle: Optional
- Charging lock: Optional
- Charging indicator: Optional
- CANBUS: Optional

SUMMIT CHARGER



Seller: Cecile Chen

Company: Sichuan Summit Power Co., Ltd

TEL/WhatsApp/Wechat: +86 18581533864

Email: sales02@summitcharger.com

Date: Jan 16th, 2023

No text below