

# SAE J1772 plug with cable/TUV certification



J1772-P5-16

# SPECIFICATION

**Name:** sae j1772 plug with cable/TUV certification

**Model:** J1772-P5-16

American standard AC charging plug/ sae j1772 plug with cable/TUV certification

## Product Features

1. Meet the SAE J1772 2010 standards
2. Nice shape, hand-held ergonomic design, easy to use
3. Protection class: IP54(in mated conditions)
4. Reliability of materials, antinflaming, environmental protection, abrasion resistance, impact resistance, oil resistance and Anti-UV

## Electrical Performance

1. Rated current: 16A
2. Operating voltage: 120-240V AC
3. Insulation resistance:>1000MΩ(DC500V)
4. Terminal temperature rise:<50K
5. Withstand voltage:2000V
6. Vibration resistance: Meet JDQ53.36.1.1-53.36.1.2 requirements
7. Contact impedance: 0.5mΩ Max

## Mechanical properties

1. Mechanical life: no-load plug in/pull out >10000 times
2. Insertion and Extraction Force: 45N<F<80N

## Materials

1. Shell material: Thermoplastic (Insulator inflammability UL94 V-0)
2. Contact Pin: Copper alloy, silver or nickel plating
3. Sealing gasket: rubber or silicon rubber

## Environmental performance

Operating temperature: -30°C~+50°C

### Insert arrangements and functional defination

Contact name	Functional defination
L1	Live wire
L2/N	Netural wire
Equipment Ground	PE
Control Pilot	Control Pilot
Proximity Detection	Proximity Detection

### Model selection and the standard wiring

Model	Number of inserts	Cable Spec.	Remark
	5	3*2.5mm <sup>2</sup> +2*0.5mm <sup>2</sup>	

# PRODUCT DESIGN DRAWING



适配产品/Adapt Socket type: V2-DSS-EV16S / 32S / 70S

## 主要性能及参数 Main performance parameters

### 产品特点 Product Features

- 符合SAE J1772 2010标准。  
Meet the SAE J1772 2010 standards
- 外形美观,手持式设计符合人体工程学原理,插拔便捷。  
Nice shape, Hand-held ergonomic design, Easy to use
- 优越防护性能,防护等级达到IP54 (工作状态)  
Protection class: IP54 (in mated conditions)
- 可靠性材料,阻燃、环保、耐磨、耐候、耐冲击、高抗油、抗紫外线  
Reliability of materials, antiflaming, environmental protection, abrasion resistance, impact resistance, oil resistance and Anti-UV

### 环境性能 Environmental performance

- 工作环境温度:  $-30^{\circ}\text{C} \sim +50^{\circ}\text{C}$   
Operating temperature:  $-30^{\circ}\text{C} \sim +50^{\circ}\text{C}$

### 电气性能 Electric Performance

- 额定工作电流: 16A或32A或70A  
Rated current: 16A or 32A or 70A
- 工作电压: 120~240V AC  
Operating voltage: 120~240V AC
- 绝缘电阻:  $> 1000\text{M}\Omega$  (DC500V)  
Insulation resistance:  $> 1000\text{M}\Omega$  (DC500V)
- 端子温升:  $< 50\text{K}$   
Terminal temperature rise:  $< 50\text{K}$
- 耐压: 2000V  
Withstand voltage: 2000V
- 接触电阻:  $0.5\text{m}\Omega$  Max  
Contact impedance:  $0.5\text{m}\Omega$  Max
- 抗振性: 符合JDQ53.3 6.1.1-53.3 6.1.2要求  
Vibration resistance: Meet JDQ 53.3 requirements

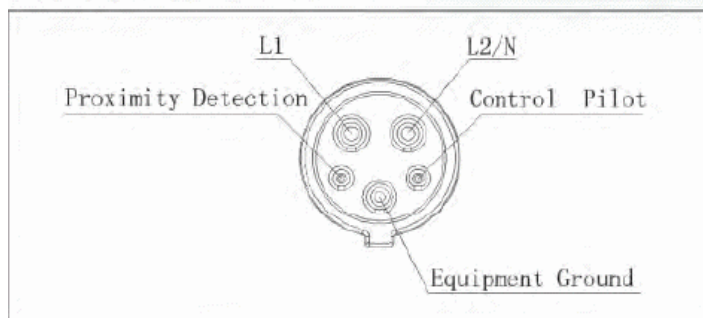
### 机械性能 Mechanical properties

- 机械寿命: 空载拔插  $> 10000$ 次  
Mechanical life: no-load plug in/pull out  $> 10000$  times
- 耦合时插拔力:  $40\text{N} < F < 80\text{N}$   
Insertion and Extraction Force :  $40\text{N} < F < 80\text{N}$

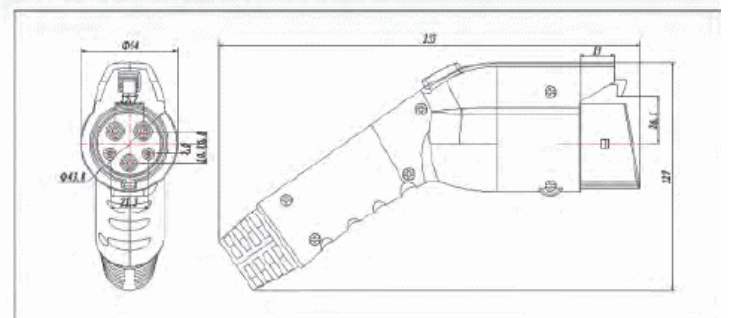
### 材料应用 Materials

- 外壳材料: 热塑性塑料,阻燃等级UL94 V-0  
Shell Material: Thermoplastic  
(Insulator inflammability UL94 V0)
- 插针: 铜合金,表面镀银+顶部热塑性塑料  
Contact Pin: Copper alloy, silver or nickel plating
- 密封件: 橡胶或硅胶  
Sealing gasket: rubber or silicon rubber

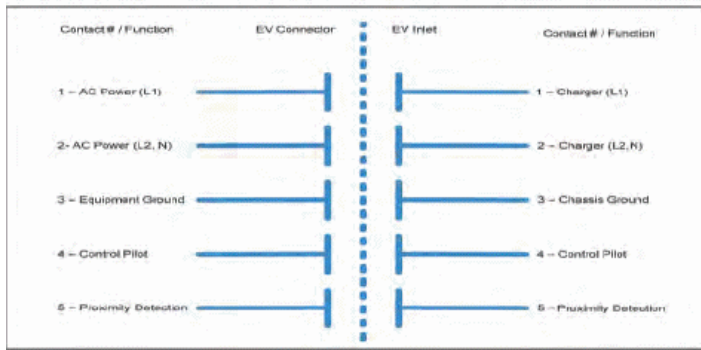
触头分布图 Insert arrangements



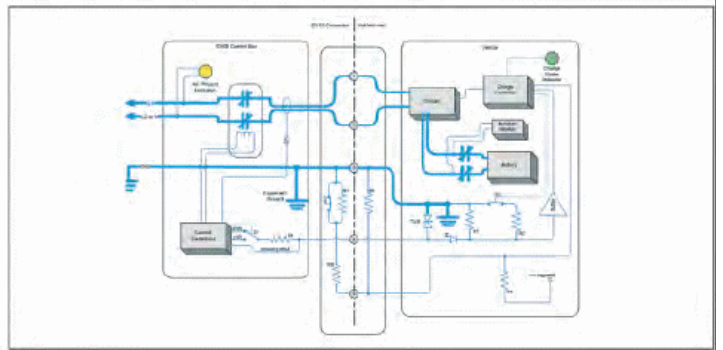
产品外形图 Product dimensions



接口界面示意图 Charging coupler interface



内部电路原理图 Schematic circuit diagram



## PRODUCT PHOTOS





---

FAKTOR GmbH  
Spinnereiinsel 3D  
D-83059 Kolbermoor  
Tel +49 8031 2080023  
Fax +49 8071 93122  
[www.faktor.de](http://www.faktor.de)