



Smartphone Connectivity Module

Product Code: SCM031B

Introduction

The **Smartphone Connectivity Module** is a low energy adapter that allows you to wirelessly monitor various battery parameters in real time on any Android device using Emus EVGUI app. The Smartphone Connectivity Module connects to the main controller using RS232 interface. A compatible EMUS EVGUI App is available on Google Play downloads section free of charge.



Applications

- Android 4.4 or later

Features

- RS232 interface which connects EMUS Smartphone
- Real time monitoring of the battery using EMUS EVGUI App

Mechanical Information

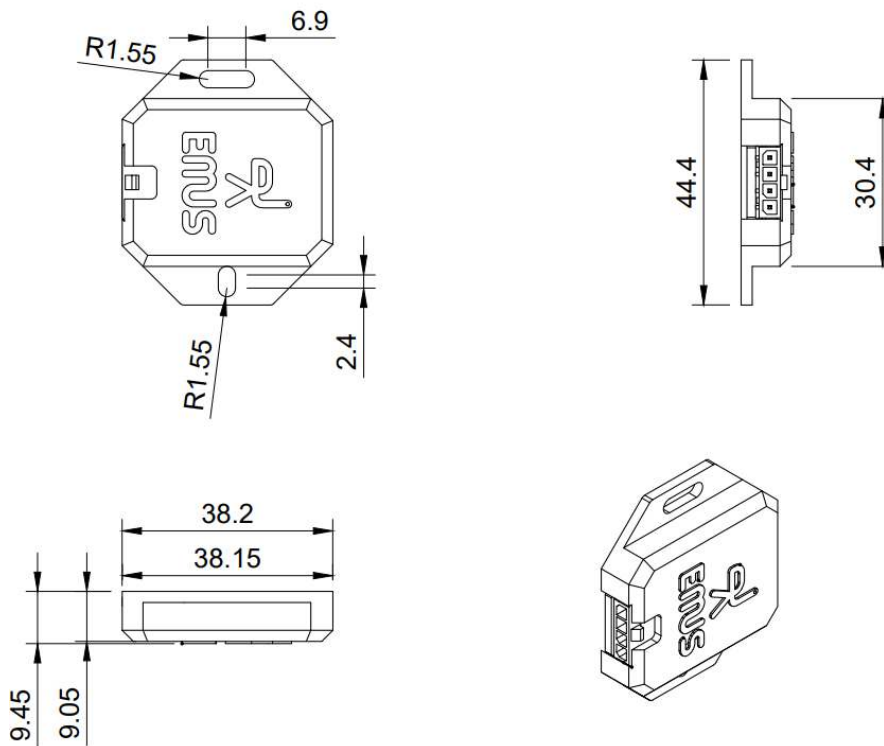


Table 1. SCM031B pin assignment

Pin No.	Wire Color	Assignment	Mating Housing	Terminal	Emus G1 BMS Control Unit pins
1	Black	GND	Molex 43645-0400	43030-0003 (recommended crimp tool Molex Hand Crimp Tool P/N: 638190000)	GND
2	White	RS232 RX			DISP. TX
3	Green	RS232 TX			DISP. RX
4	Red	PWR			PWR



Smartphone Connectivity Module

Battery Management Systems

battery made simple

Remote Monitoring ready

Reviewed by I.R.R on 2024-November-20

Product Code: SCM031B

Electrical Characteristics

Table 2. SCM031B electrical characteristics

Item	Conditions	Value
Supply voltage	-	9.0 to 32.0 VDC (24.0 VDC typical)
Power supply reverse polarity protection	-	Yes
Current consumption	At typical supply voltage	4.4mA to 9.0 mA

Other Specifications

Table 3. SCM031B other specifications

Item	Value
Smartphone BT protocol version	4.0 LE
Communication range	10 m
Operating temperature	-40 to +85°C
IP rating	IP53
Weight	60 g
Cable length	1.5 m

Application

