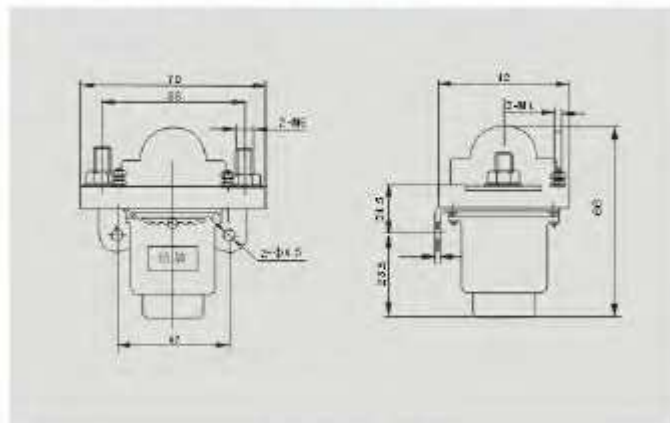


HZJ 200S-48V + auxiliary contact

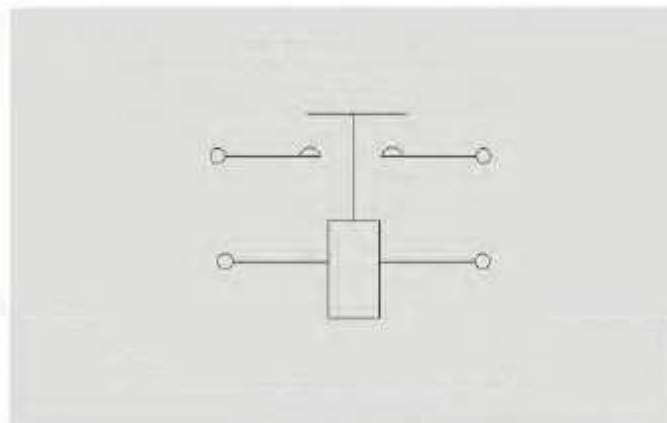
Brief technical data

	Type and parameters	Coil & Rated voltage of contact circuit (V)								
		6	12	24	30	36	40	48	72	80
1	Coil power dissipation $\leq 15 (w)$, Max. Coil current (a)	0.95	0.6	0.3	0.25	0.2	0.18	0.21	0.1	0.08
2	Main contact rated current	Resistive load : $t=1ms$, 200A Max. Rated permissible current to contact circuit for 4ie.5seconds								
3	Dielectric (volt) strength	50Hz 1000 V AC 1min								
4	operating time	Pickup (contact makes) $\leq 30ms$, release (contact breaks) $\leq 30ms$								
5	Action characteristic	Pickup (contact makes) $\leq 66\%U_s$ Release (contact breaks) : $\leq 30\%U_s, \leq 5\%U_s$								
6	Mechanical life	300 thousand times								
7	Electrlife	Resistive load ($t=1ms$) 50000 times inductive load (DC-5) : 60% e For resistive load 20000 times								

Configurational mounting diagram



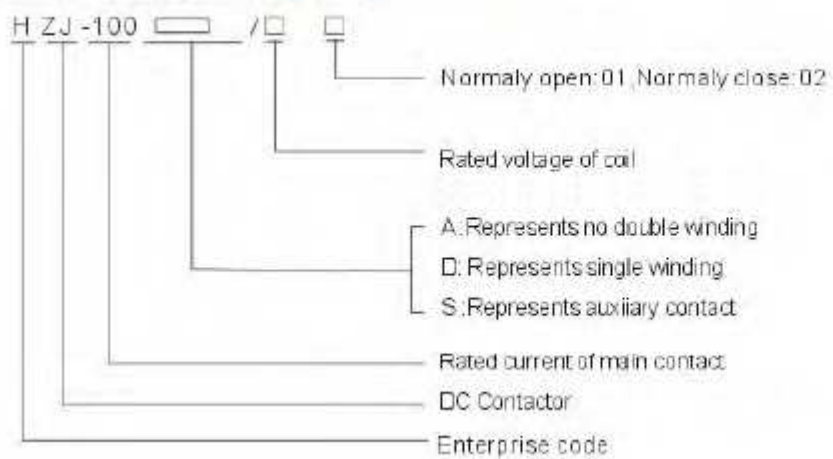
Circuit diagram



Environmental condition

- 1、 Ambient temperature : -25 ~ +40℃
- 2、 Altitude range : 0-2000m
- 3、 Max. relative humidity 90% at 20℃
- 4、 Vibration : 10 ~ 50Hz 10m/S²
- 5、 Shock resistance : 30m/s²
- 6、 Attitude : anywhere
- 7、 Power voltage fluctuating : (0.7 ~ 1.1)U_e
- 8、 Duty : 8h continuous

Nomination(nomogram)



FAKTOR GmbH
Spinnereiinsel 3D
D-83059 Kolbermoor
Tel +49 8031 2080023
Fax +49 8071 93122
www.faktor.de