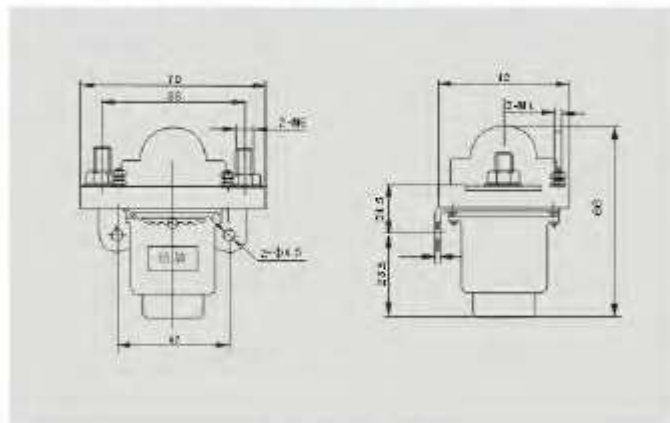


HZJ 400S-12V + auxiliary contact

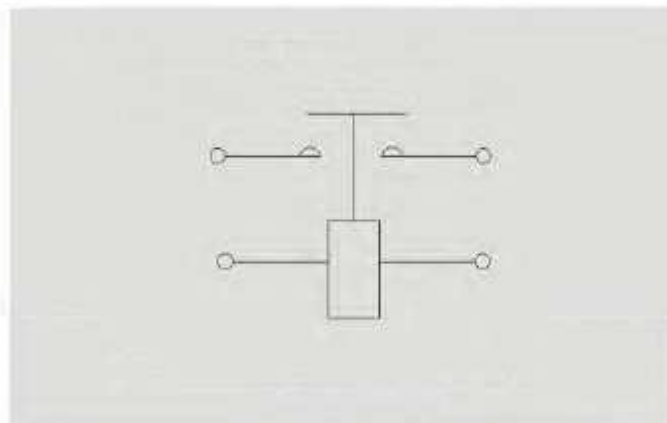
Brief technical data

| | Type and parameters | Coil & Rated voltage of contact circuit (V) | | | | | | | | |
|---|--|---|-----|-----|------|-----|------|------|-----|------|
| | | 6 | 12 | 24 | 30 | 36 | 40 | 48 | 72 | 80 |
| 1 | Coil power dissipation < 15 (w), Max. Coil current (a) | 0.95 | 0.6 | 0.3 | 0.25 | 0.2 | 0.18 | 0.21 | 0.1 | 0.08 |
| 2 | Main contact rated current | Resistive load: $t=1\text{ms}$, 400A Max. Rated permissible current to contact circuit for 4ie.5 seconds | | | | | | | | |
| 3 | Dielectric (volt) strength | 50Hz 1000 V AC 1min | | | | | | | | |
| 4 | operating time | Pickup (contact makes) $\leq 30\text{ms}$, release (contact breaks) $\leq 30\text{ms}$ | | | | | | | | |
| 5 | Action characteristic | Pickup (contact makes) $\leq 66\%U_s$ Release (contact breaks) $\leq 30\%U_s, \leq 5\%U_s$ | | | | | | | | |
| 6 | Mechanical life | 300 thousand times | | | | | | | | |
| 7 | Electrlife | Resistive load ($t=1\text{ms}$) 50000 times inductive load (DC-5) 60% \leq For resistive load 20000 times | | | | | | | | |

Configurational mounting diagram



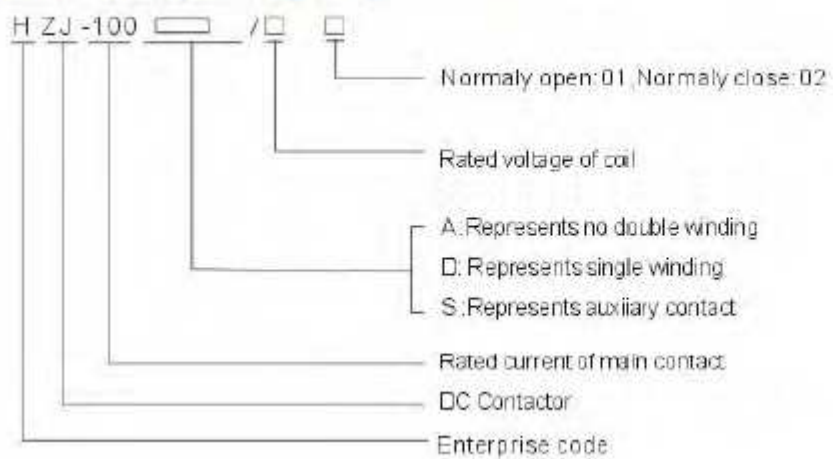
Circuit diagram



Environmental condition

- 1、 Ambient temperature: $-25 \sim +40^\circ\text{C}$
- 2、 Altitude range: 0-2000m
- 3、 Max. relative humidity 90% at 20°C
- 4、 Vibration: 10~50Hz, 10m/S^2
- 5、 Shock resistance: 30m/S^2
- 6、 Attitude: anywhere
- 7、 Power voltage fluctuating: $(0.7 \sim 1.1)U_e$
- 8、 Duty: 8h continuous

Nomination(nomogram)



FAKTOR GmbH
Spinnereiinsel 3D
D-83059 Kolbermoor
Tel +49 8031 2080023
Fax +49 8071 93122
www.faktor.de